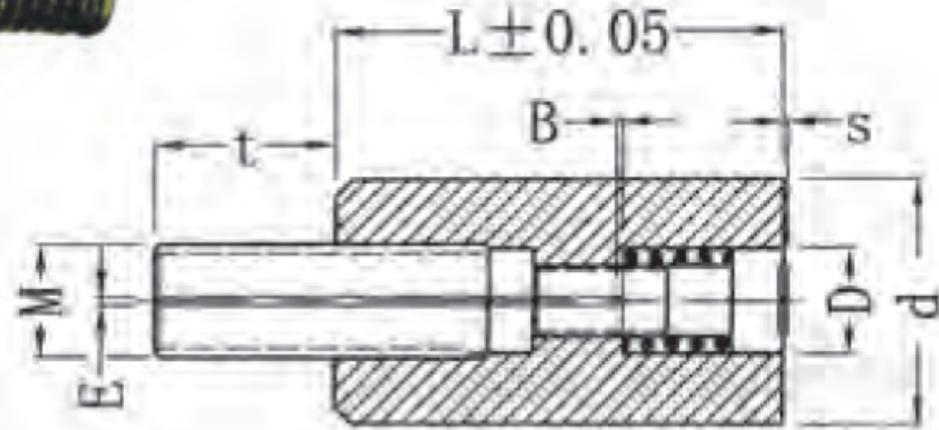


Dişli Kalıp Takvimi



Kod.	D	d	L	M	T	a	b	c
DDATI 1200	3	1.6	14	2	4	0.20	SW	1.3
	4	2.5	14	2	4	0.30	0.5	0.6
	5	3.1	17	3	5	0.40	0.5	0.8
	6	3.1	17	3	5	0.40	0.5	0.8
	8	3.1	20	4	7	0.40	0.7	1.0
	10	4.6	20	5	8	0.40	0.7	1.0
	12	6.4	25	6	9	0.60	1	1.5
	16	8.4	33	8	10	0.60	1	1.5